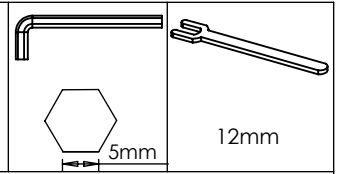




8 MINS



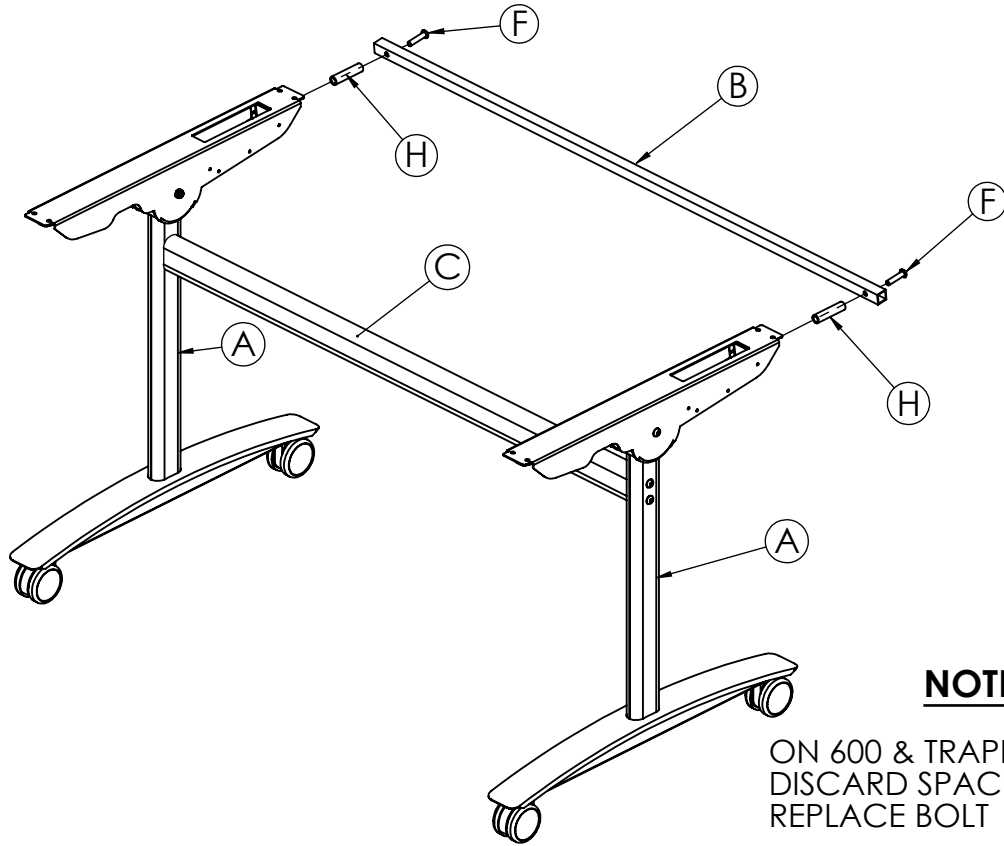
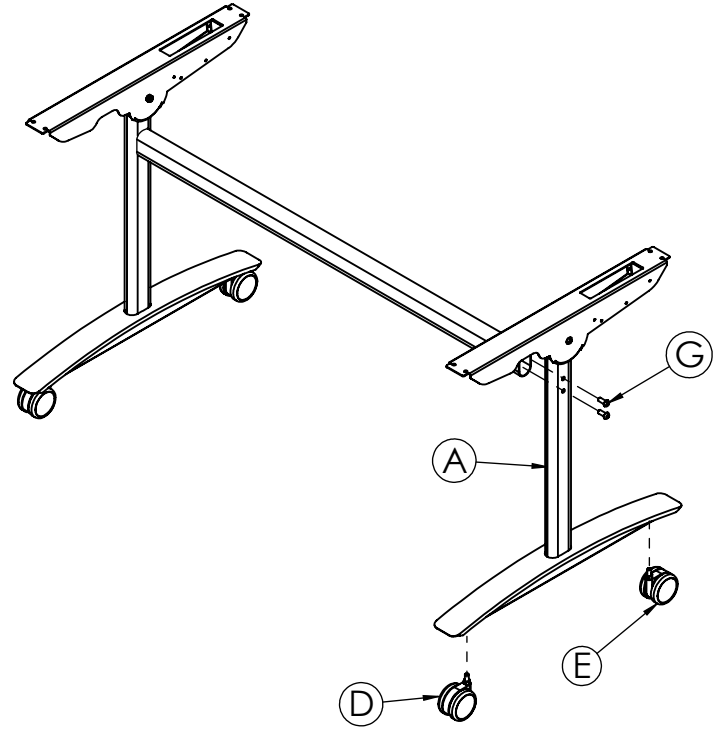
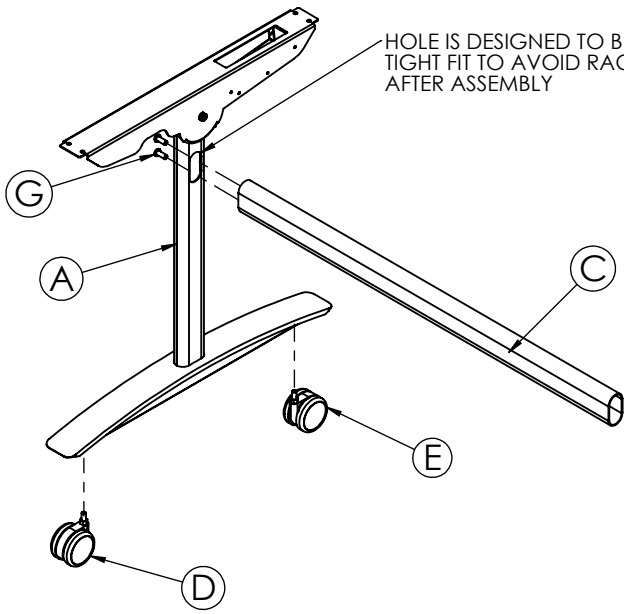
X1



5mm

12mm

HOLE IS DESIGNED TO BE TIGHT FIT TO AVOID RACKING AFTER ASSEMBLY



**NOTE:**

ON 600 & TRAPEZOIDAL TABLE DISCARD SPACER H AND REPLACE BOLT F WITH BOLT G

	A	B	C	WITHOUT BRAKE	WITH BRAKE	M8 X 100	M8 X 30		
Pcs	2	1	1	2	2	2	6	2	1
Qty	2	1	1	2	2	2	6	2	1